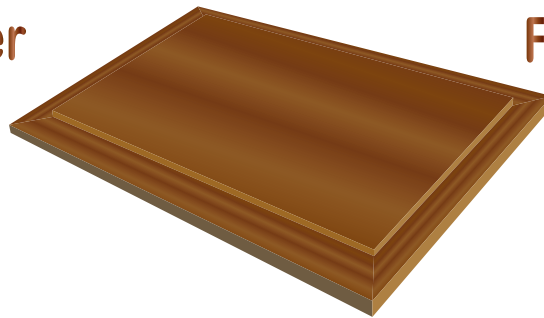


Abplattfräser

Raised panel cutter



Fraise plate band

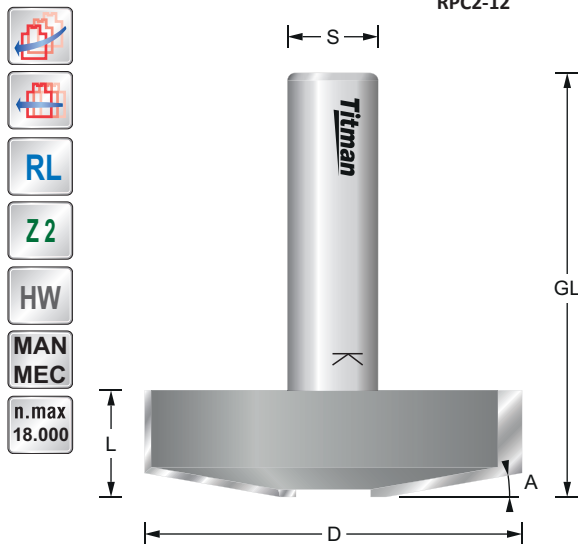
Abplattfräser

Raised panel cutter

Fraise plate band

RPC2-12

REF.	D mm	A°	L mm	GL mm	S mm	EUR/1
RPC2-12	50	10°	14	55	12	163,68 €



RPC3-12

REF.	D mm	R mm	L mm	GL mm	S mm	EUR/1
RPC3-12	50	6	14	55	12	163,68 €

