

# Abplattfräser

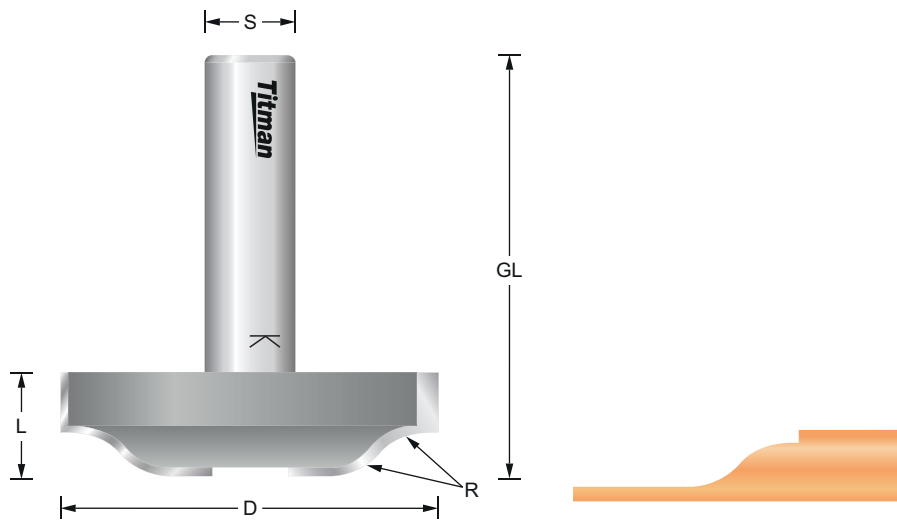
Raised panel cutter

Fraise plate band

## RPC5-12

REF.	D mm	R mm	L mm	GL mm	S mm	EUR/1
RPC5-12	50	12	14	55	12	163,68 €
RPC5-45-8	45	12	14	46	8	144,44 €

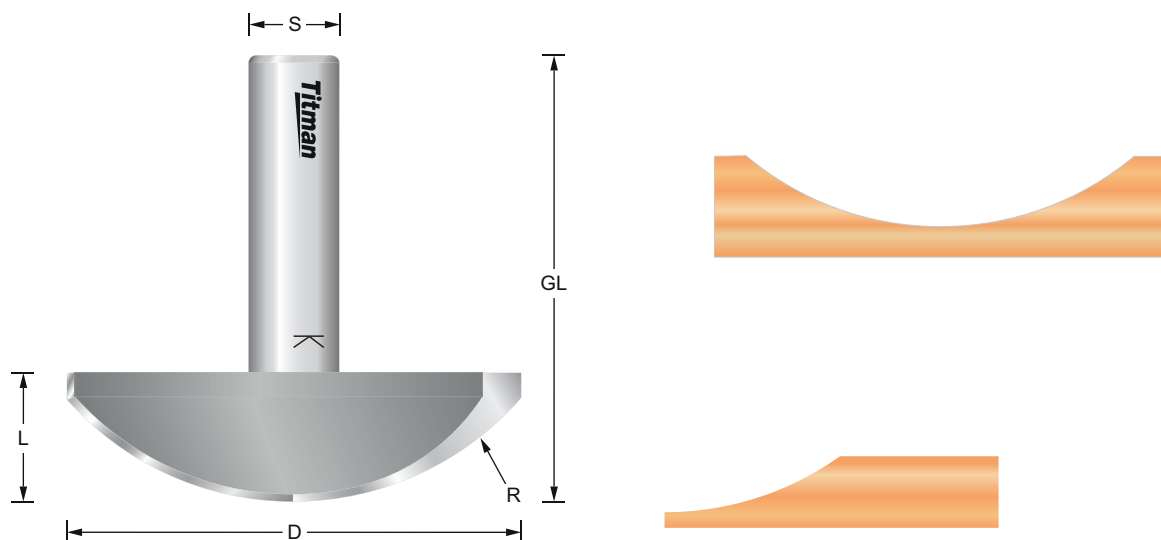
- 
- 
- RL**
- Z2**
- HW**
- MAN MEC**
- n.max 18.000



## RPC9-12

REF.	D mm	R mm	L mm	GL mm	S mm	EUR/1
RPC9-12	60	40	17	59	12	192,68 €

- 
- 
- 
- RL**
- Z2**
- HW**
- MAN MEC**
- n.max 16.000



## GOG20-12

REF.	D mm	R mm	L mm	GL mm	S mm	EUR/1
GOG20-12	50	12	18	58	12	144,44 €

- 
- 
- RL**
- Z2**
- HW**
- MAN MEC**
- n.max 18.000

