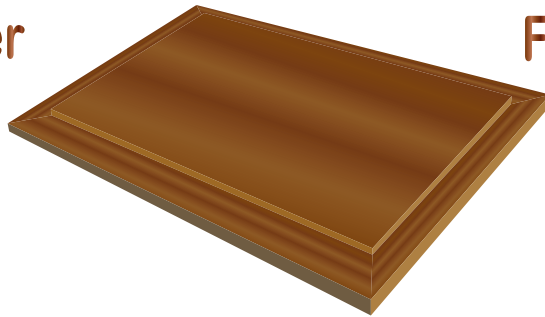


Abplattfräser

Raised panel cutter



Fraise plate band

Abplattfräser

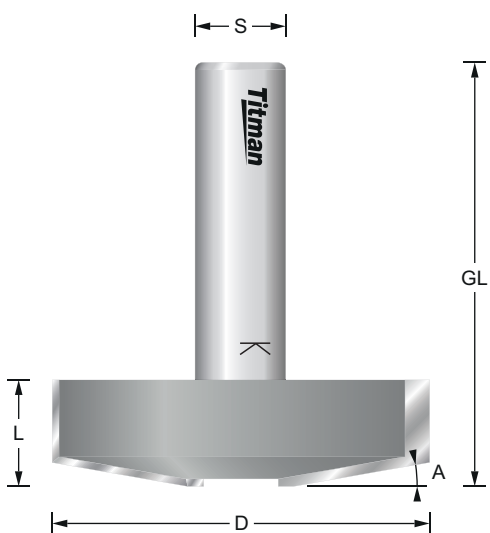
Raised panel cutter

Fraise plate band

RPC2-12

REF.	D mm	A°	L mm	GL mm	S mm	EUR/1
RPC2-12	50	10°	14	55	12	173,34 €

-
-
- RL**
- Z2**
- HW**
- MAN MEC**
- n. max 18.000



RPC3-12

REF.	D mm	R mm	L mm	GL mm	S mm	EUR/1
RPC3-12	50	6	14	55	12	173,34 €

-
-
- RL**
- Z2**
- HW**
- MAN MEC**
- n. max 18.000

