

Abplattfräser

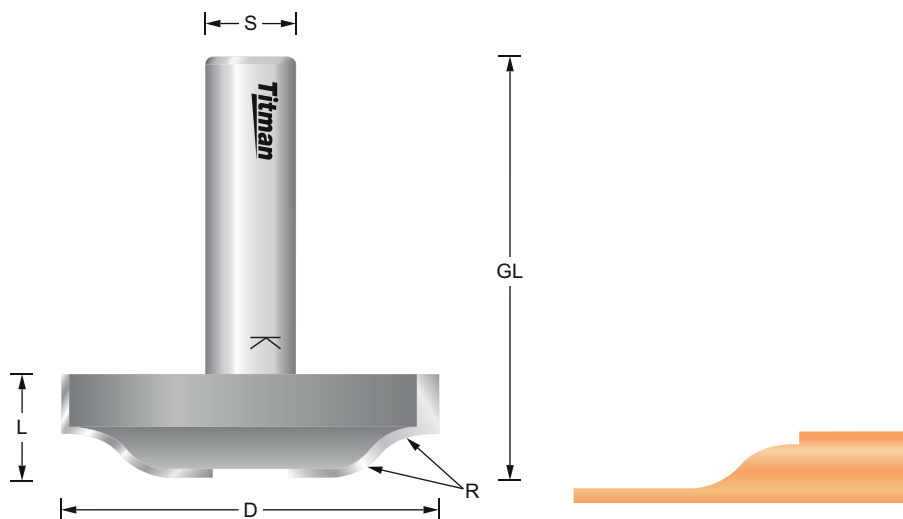
Raised panel cutter

Fraise plate band

RPC5-12

REF.	D mm	R mm	L mm	GL mm	S mm	EUR/1
RPC5-12	50	12	14	55	12	173,34 €
RPC5-45-8	45	12	14	46	8	152,96 €

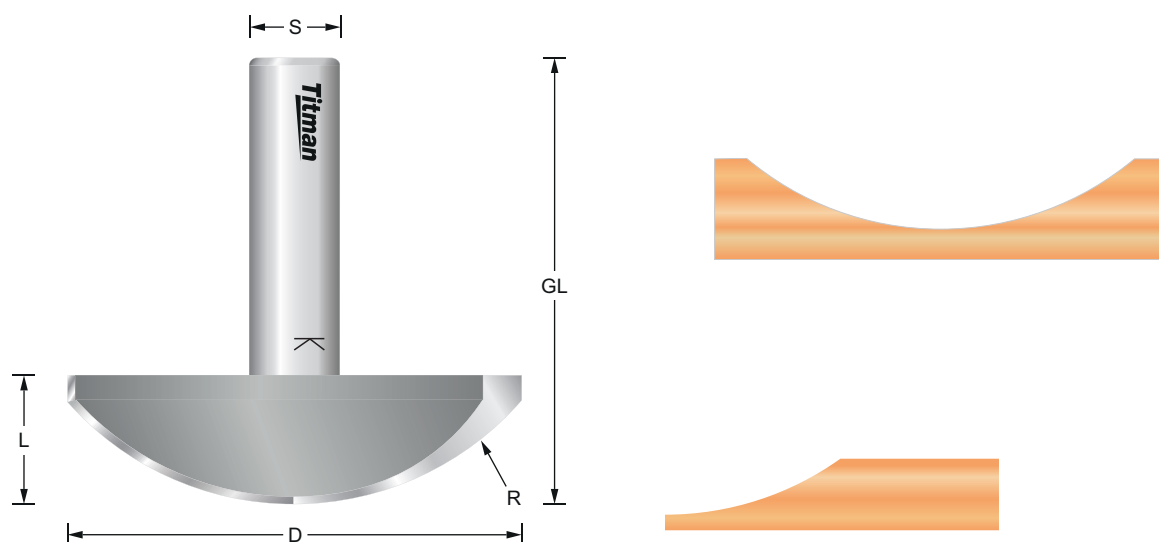
-
-
- RL**
- Z2**
- HW**
- MAN**
- MEC**
- n. max 18.000



RPC9-12

REF.	D mm	R mm	L mm	GL mm	S mm	EUR/1
RPC9-12	60	40	17	59	12	204,05 €

-
-
- RL**
- Z2**
- HW**
- MAN**
- MEC**
- n. max 16.000



GOG20-12

REF.	D mm	R mm	L mm	GL mm	S mm	EUR/1
GOG20-12	50	12	18	58	12	152,96 €

-
-
- RL**
- Z2**
- HW**
- MAN**
- MEC**
- n. max 18.000

