

Handlaufräser zweiteilig

Handrail cutter two-part

Fraise main-courante en deux parties

ROCB127-12

| REF. | D mm | R mm | L mm | GL mm | S mm | EUR/1 |
|------------|------|------|------|-------|------|---------|
| ROCB127-12 | 41 | 12.7 | 19 | 63 | 12 | 98,51 € |

| REF. | Ersatzteile - Spare parts - Pièces de rechange | EUR/1 |
|-------|--|---------|
| B16 | Anlauflager / Bearing / Roulement D=16 d=6,35 | 11,26 € |
| ISKM4 | Schraube Lager / Screw bearing / Vis roulement | 3,60 € |



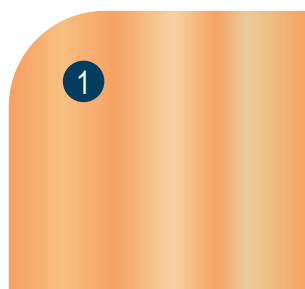
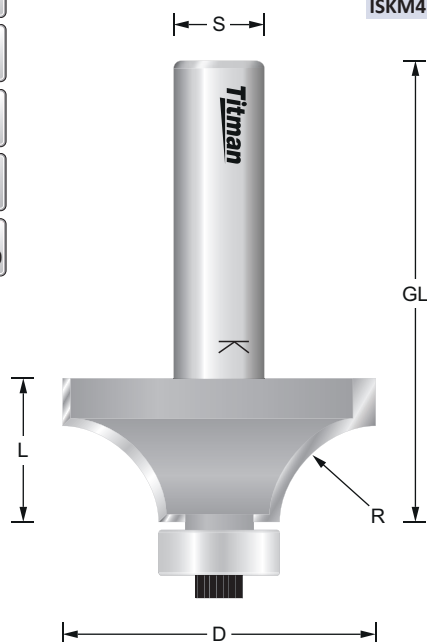
RL

Z2

HW

MAN
MEC

n.max
18.000



HL25-12

| REF. | D mm | R1 mm | R2 mm | L mm | GL mm | S mm | EUR/1 |
|---------|------|-------|-------|------|-------|------|----------|
| HL25-12 | 35 | 12.7 | 28 | 45 | 110 | 12 | 234,46 € |

| REF. | Ersatzteile - Spare parts - Pièces de rechange | EUR/1 |
|-------|--|---------|
| B18 | Anlauflager / Bearing / Roulement D=18 d=6,35 | 11,26 € |
| ISKM4 | Schraube Lager / Screw bearing / Vis roulement | 3,60 € |



RL

Z2

HW

MAN
MEC

n.max
18.000

