

Profilfräser

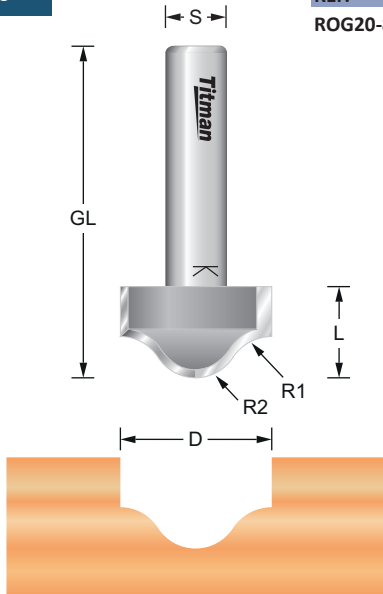
Profile cutter

Fraise à profiler

ROG20-8

REF.	D mm	R1 mm	R2 mm	L mm	GL mm	S mm	EUR/1
ROG20-8	20	6	6	12	52	8	124,17 €

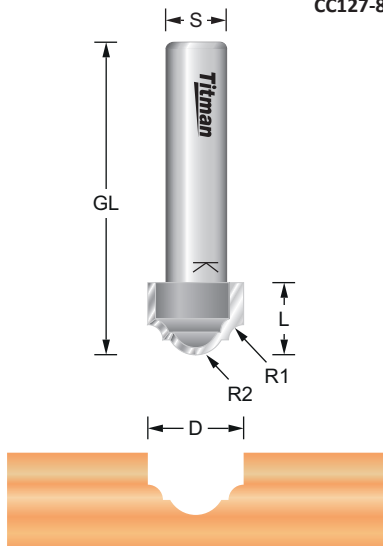
-
-
-
- RL**
- Z2**
- HW**
- MAN MEC**
- n.max 24.000



CC127-8

REF.	D mm	R1 mm	R2 mm	L mm	GL mm	S mm	EUR/1
CC127-8	12.7	2	4	9.5	50	8	64,80 €

-
-
-
- RL**
- Z2**
- HW**
- MAN MEC**
- n.max 24.000



TRC19-6

REF.	D mm	d mm	R mm	L mm	GL mm	S mm	EUR/1
TRC19-6	19	7	2.5	11	44	6	82,60 €

-
-
-
- RL**
- Z2**
- HW**
- MAN MEC**
- n.max 24.000

